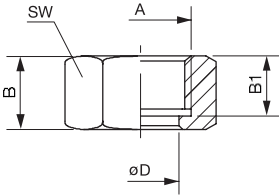


Z

Zubehör Accessories

Überwurfmutter / Tip Retainer

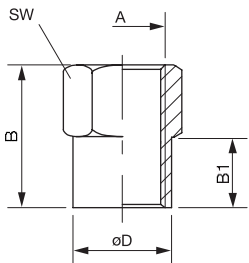


Typ Type	Abmessungen / Dimensions (mm)							Material					Gewicht Weight ca. g
	A	B	B1	D	SW HEX			Messing Brass	1.4305 SS303	1.4571 SS316	PP PP		
BU-3/8	G 3/8"	12,5	10,0	12,7	22,0			●	●	●	●	25	
BU-3/4	G 3/4"	16,0	13,0	20,1	32,0			●	●	●		55	
BU-1 1/4	G 1 1/4"	27,0	21,0	32,2	50,0			●	●	●		210	
BUH-1	G 1"	38,0	32,0	20,1	41,0			-	●	-		205	

Gewinde: G 3/8" G 3/4" G 1" G 1 1/4"
Thread: 3/8" BSPP 3/4" BSPP 1" BSPP 1 1/4" BSPP

Bestell-Beispiel: Typ Material
Ordering Information: Type Material
 BU-3/4 - 1.4571

Muffen / Adapter Thread (F/F)

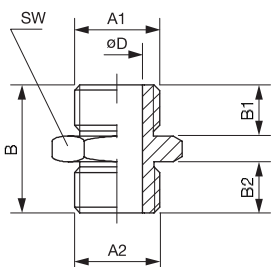


Typ Type	Abmessungen / Dimensions (mm)							Material					Gewicht Weight ca. g
	A	B	B1	D	SW HEX			PVC PVC	1.0715 M-Steel	Messing Brass	1.4305 SS303	1.4571 SS316	
BM-1/8	G 1/8"	20,0	10,0	13,8	14,0			●	●	●	●	●	18
BM-1/4	G 1/4"	20,0	10,0	16,8	17,0			●	●	●	●	●	22
BM-3/8	G 3/8"	20,0	10,0	21,5	22,0			●	●	●	●	●	28
BM-1/2	G 1/2"	30,0	15,0	26,5	27,0			●	●	●	●	●	70
BM-3/4	G 3/4"	35,0	15,0	31,5	32,0			●	●	●	●	●	110

Gewinde: G 1/8" G 1/4" G 3/8" G 1/2" G 3/4"
Thread: 1/8" BSPP 1/4" BSPP 3/8" BSPP 1/2" BSPP 3/4" BSPP

Bestell-Beispiel: Typ Material
Ordering Information: Type Material
 BM-3/8 - 1.4305

Doppelnippel / Adapter Thread (M/M)



Typ Type	Abmessungen / Dimensions (mm)							Material					Gewicht Weight ca. g
	A1	A2	B	B1	B2	D	SW HEX	Messing Brass	1.4305 SS303	1.4571 SS316			
BDN-3/8-1/4	G 3/8"	G 1/4"	25,0	10,0	10,0	7,0	22,0	●	●	●		30	
BDN-3/8	G 3/8"	G 3/8"	25,0	10,0	10,0	10,0	22,0	●	●	●		32	
BDN-3/8-1/2	G 3/8"	G 1/2"	30,0	10,0	14,0	11,5	27,0	●	●	●		60	
BDN-3/4	G 3/4"	G 3/4"	35,0	14,0	14,0	18,0	32,0	●	●	●		90	

Gewinde: G 1/4" G 3/8" G 1/2" G 3/4"
Thread: 1/4" BSPP 3/8" BSPP 1/2" BSPP 3/4" BSPP

Bestell-Beispiel: Typ Material
Ordering Information: Type Material
 BDN-3/8-1/4 - 1.4305

Zubehör Accessories



Muffen (Innen-/Außengewinde) / Adapter Thread (F/M)

Typ Type*	Abmessungen / Dimensions (mm)						Material				Gewicht Weight ca. g
	A1	A2	B	B1	D	SW HEX	Messing Brass	1.4305 SS303	1.4571 SS316		
BM-1/8 I-3/8 A	G 1/8"	G 3/8"	20,0	10,0	8,5	22,0	●	●	●	30	
BM-1/4 I-3/8 A	G 1/4"	G 3/8"	23,0	10,0	10,0	22,0	●	●	●	40	
BM-3/8 I-3/8 A	G 3/8"	G 3/8"	28,0	10,0	10,0	22,0	●	●	●	40	
BM-3/4 I-3/4 A	G 3/4"	G 3/4"	35,0	14,0	18,0	32,0	●	●	●	95	

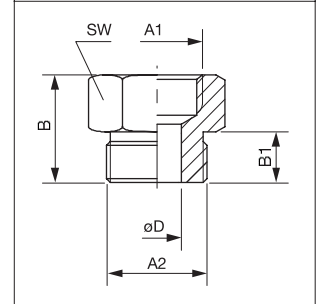
* I = Innengewinde / Female Thread
A = Außengewinde / Male Thread

Gewinde: G 1/8" G 1/4" G 3/8" G 1 3/4"
Thread: 1/8" BSPP 1/4" BSPP 3/8" BSPP 3/4" BSPP

Bestell-Beispiel: Typ Material
Ordering Information: Type Material

└───┬───┘ └───┬───┘

BM-1/8 I-3/8 A - 1.4305



Schweißnippel / Adapter Weld-on Type

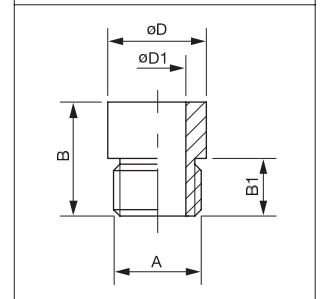
Typ Type	Abmessungen / Dimensions (mm)					Material			Gewicht Weight ca. g
	A	B	B1	D	D1	1.0037 A570	Messing Brass	1.4571 SS316	
BSN-3/8-18	G 3/8"	18,0	10,0	17,2	11,4	●	●	●	22
BSN-3/8-30	G 3/8"	30,0	10,0	17,2	11,4	●	●	●	35
BSN-3/4-27	G 3/4"	27,0	14,0	27,0	18,0	●	●	●	60
BSN-3/4-45	G 3/4"	45,0	14,0	27,0	18,0	●	●	●	110
BSN-3/4-60	G 3/4"	60,0	14,0	27,0	18,0	●	●	●	165

Gewinde: G 3/8" G 3/4"
Thread: 3/8" BSPP 3/4" BSPP

Bestell-Beispiel: Typ Material
Ordering Information: Type Material

└───┬───┘ └───┬───┘

BSN-3/8-18 - 1.4571



Schweißnippel mit Radius / Adapter Weld-on Type w. Radius

Typ Type	Abmessungen / Dimensions (mm)						Material			Gewicht Weight ca. g
	A	B	B1	D	D1	R	1.0037 A570	Messing Brass	1.4571 SS316	
BSN-3/8-18-R ♦	G 3/8"	18,0	10,0	17,2	11,4	♦	●	●	●	20
BSN-3/4-27-R ♦	G 3/4"	27,0	14,0	27,0	18,0	♦	●	●	●	55

♦ R = 10/12,5/16/20/25 oder/or 31 mm – Bei Bestellung bitte angeben / Please indicate when ordering

Gewinde: G 3/8" G 3/4"
Thread: 3/8" BSPP 3/4" BSPP

Bestell-Beispiel: Typ Material
Ordering Information: Type Material

└───┬───┘ └───┬───┘

BSN-3/8-18-R10 - 1.4571

