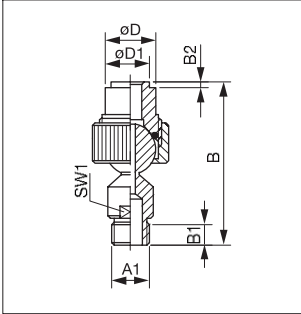


Kugeldrehgelenke / Ball Joints



Typ Type*	Abmessungen / Dimensions (mm)							Material			Gewicht Weight ca. g
	A1	B	B1	B2	D	D1	SW1 HEX1	Messing Brass	1.4305 SS303	1.4571 SS316	
20BK- ³ / ₈ A-SN	G ³ / ₈ "	55,0	10,0	4,0	20,0	15,0	17,0	●	●	●	130

* SN = Schweißnippel / Adapter weld-on
A = Außengewinde / Male Thread

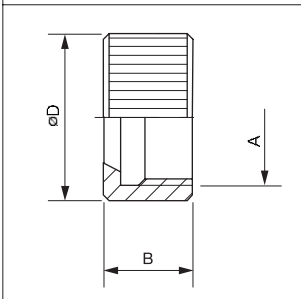
Gewinde: G ³/₈"
Thread: ³/₈" BSPP

Bestell-Beispiel: Typ Material
Ordering Information: Type Material

└───┬───┘ └───┬───┘

20BK-³/₈ A-SN - 1.4571

Überwurfmuttern für Kugeldrehgelenke Tip Retainers for Ball Joints



Typ Type	Abmessungen / Dimensions (mm)				Material			Gewicht Weight ca. g
	A	B	D		Messing Brass	1.4305 SS303	1.4571 SS316	
16BUK	M20 x 1	13,0	25,0		●	●	●	22
20BUK	M24 x 1,5	16,0	30,0		●	●	●	38
30BUK	M36 x 2	22,0	47,0		●	●	●	115
40BUK	M45 x 2	23,5	54,0		●	●	●	128

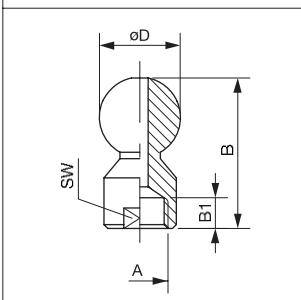
Gewinde: M20 x 1 M24 x 1,5 M36 x 2 M45 x 2
Thread: M20 x 1 M24 x 1,5 M36 x 2 M45 x 2

Bestell-Beispiel: Typ Material
Ordering Information: Type Material

└───┬───┘ └───┬───┘

16 BUK - 1.4305

Gelenkköpfe für Kugeldrehgelenke Turrets for Ball Joints



Typ Type*	Abmessungen / Dimensions (mm)					Material			Gewicht Weight ca. g	
	A	B	B1	D	SW HEX	Messing Brass	1.4305 SS303	1.4571 SS316		
20BK- ¹ / ₈ I	G ¹ / ₈ "	35,0	10,0	20,0	17,0		●	●	●	46
20BK- ¹ / ₄ I	G ¹ / ₄ "	35,0	10,0	20,0	17,0		●	●	●	46
30BK- ³ / ₈ I	G ³ / ₈ "	36,0	12,0	32,0	24,0		●	●	●	115
30BK- ¹ / ₂ I	G ¹ / ₂ "	36,0	12,0	32,0	24,0		●	●	●	115
40BK- ³ / ₄ I	G ³ / ₄ "	45,0	15,0	40,0	30,0		●	●	●	226

* I = Innengewinde / Female Thread

Gewinde: G ¹/₈" G ¹/₄" G ³/₈" G ¹/₂" G ³/₄"
Thread: ¹/₈" BSPP ¹/₄" BSPP ³/₈" BSPP ¹/₂" BSPP ³/₄" BSPP

Bestell-Beispiel: Typ Material
Ordering Information: Type Material

└───┬───┘ └───┬───┘

20 BK-¹/₈ I - 1.4305

Zubehör Accessories



Gelenkköpfe für Kugeldrehgelenke / Turrets for Ball Joints

Typ Type*	Abmessungen / Dimensions (mm)						Material				Gewicht Weight
	A	B	B1	D	SW HEX		Messing Brass	1.4305 SS303	1.4571 SS316		
20BK-3/8 A	G 3/8"	42,0	10,0	20,0	17,0		●	●	●		50

* A = Außengewinde / Male Thread

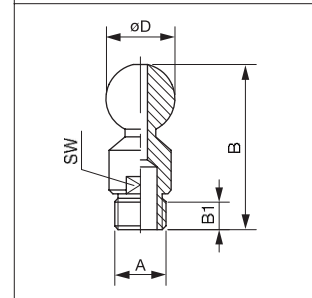
Gewinde: G 3/8"

Thread: 3/8" BSPP

Bestell-Beispiel:

Ordering Information:

Typ	Material
Type	Material
20BK-3/8 A	- 1.4305



Nippel für Kugeldrehgelenke / Adapter for Ball Joints/Thread (M)

Typ Type*	Abmessungen / Dimensions (mm)					Material				Gewicht Weight
	A	A1	B	B1	SW HEX	Messing Brass	1.4305 SS303	1.4571 SS316		
16BN-1/4 A	G 1/4"	M20 x 1	26,0	9,0	22,0	●	●	●		20
20BN-1/4 A	G 1/4"	M24 x 1,5	28,0	9,0	24,0	●	●	●		40
20BN-3/8 A	G 3/8"	M24 x 1,5	31,5	12,0	24,0	●	●	●		40
30BN-3/8 A	G 3/8"	M36 x 2	36,0	13,0	36,0	●	●	●		140
30BN-1/2 A	G 1/2"	M36 x 2	36,0	13,0	36,0	●	●	●		140
40BN-3/4 A	G 3/4"	M45 x 2	46,0	15,0	46,0	●	●	●		250

* A = Außengewinde / Male Thread

Gewinde: G 1/4"

G 3/8"

G 1/2"

G 3/4"

Thread: 1/4" BSPP

3/8" BSPP

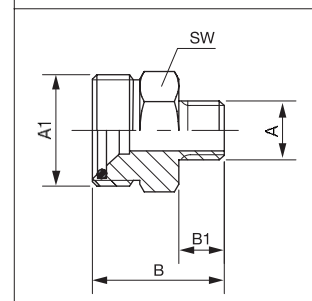
1/2" BSPP

3/4" BSPP

Bestell-Beispiel:

Ordering Information:

Typ	Material
Type	Material
16BN-1/4 A	- 1.4305



Nippel für Kugeldrehgelenke / Adapter for Ball Joints/Thread (F)

Typ Type*	Abmessungen / Dimensions (mm)					Material				Gewicht Weight
	A	A1	B	B1	SW HEX	Messing Brass	1.4305 SS303	1.4571 SS316		
16BM-1/8 I	G 1/8"	M20 x 1	19,0	8,0	22,0	●	●	●		20
20BM-1/8 I	G 1/8"	M24 x 1,5	19,0	10,0	24,0	●	●	●		56
20BM-1/4 I	G 1/4"	M24 x 1,5	19,0	10,0	24,0	●	●	●		56
20BM-3/8 I	G 3/8"	M24 x 1,5	19,0	10,0	24,0	●	●	●		56
30BM-3/8 I	G 3/8"	M36 x 2	28,0	14,0	36,0	●	●	●		140
30BM-1/2 I	G 1/2"	M36 x 2	28,0	14,0	36,0	●	●	●		140
40BM-3/4 I	G 3/4"	M45 x 2	30,0	15,0	46,0	●	●	●		230

* I = Innengewinde / Female Thread

Gewinde: G 1/8"

G 1/4"

G 3/8"

G 1/2"

G 3/4"

Thread: 1/8" BSPP

1/4" BSPP

3/8" BSPP

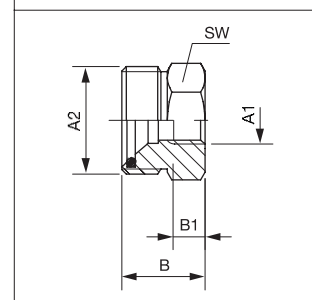
1/2" BSPP

3/4" BSPP

Bestell-Beispiel:

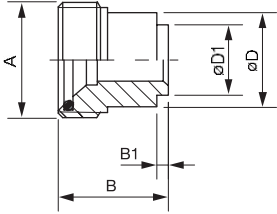
Ordering Information:

Typ	Material
Type	Material
16BN-1/8 I	- 1.4571



Z

Zubehör Accessories



Schweißnippel für Kugeldrehgelenke Adapter for Ball Joints/Weld-on

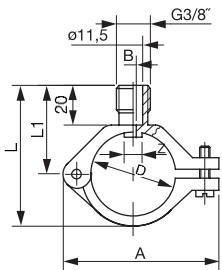
Typ Type	Abmessungen / Dimensions (mm)						Material				Gewicht Weight
	A	B	B1	D	D1	1.4571 SS316				ca. g	
16BSN	M20 x 1	21,0	3,0	16,0	13,0	●				20	
20BSN	M24 x 1,5	21,0	4,0	20,0	15,0	●				25	
30BSN	M36 x 2	36,0	4,0	22,0	15,0	●				120	
40BSN	M45 x 2	40,0	4,0	22,0	18,0	●				205	

Gewinde: M20 x 1 M24 x 1,5 M36 x 2 M45 x 2
Thread: M20 x 1 M24 x 1,5 M36 x 2 M45 x 2

Bestell-Beispiel: Typ Material
Ordering Information: Type Material

└───┬───┘ └───┬───┘

16 BSN - 1.4571



Klappschellen / Hinged Clamps

Typ Type	Abmessungen / Dimensions (mm)								Material			Gewicht Weight
	Rohr Ø Pipe Ø	D	Z	B	A	L	L1	H	PA			ca. g
D40246-3/4	3/4"	25,0-28,0	7,6	5,0	55,0	60,0	40,0	25,0	●			26
D40246-1	1"	32,0-34,5	10,7	7,0	62,0	68,0	45,0	25,0	●			32

Weitere Größen auf Anfrage.
Other Sizes on request.

Gewinde: G 3/8"
Thread: 3/8" BSPP

Bestell-Beispiel: Typ Material
Ordering Information: Type Material

└───┬───┘ └───┬───┘

D40246-3/4 - PA